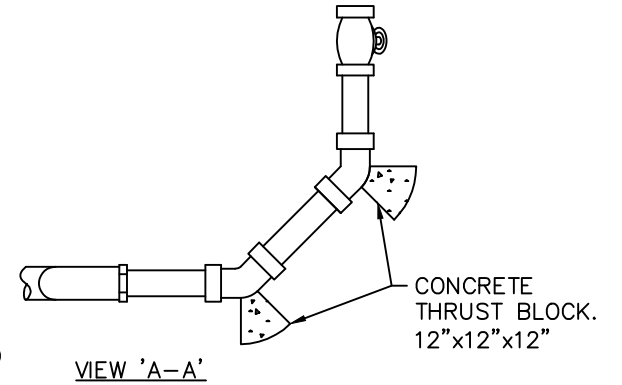
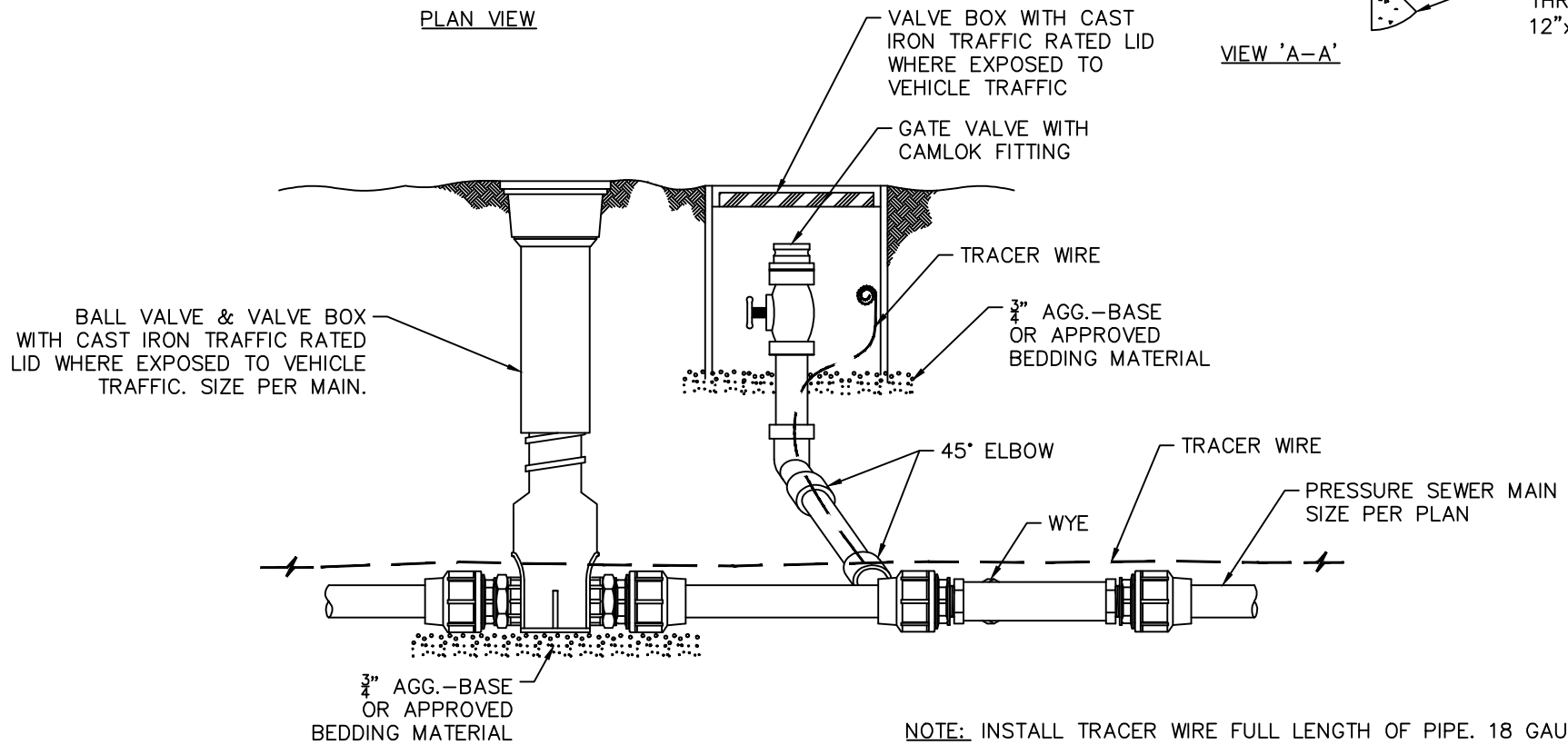


PLAN VIEW



VIEW 'A-A'



NOTE: INSTALL TRACER WIRE FULL LENGTH OF PIPE. 18 GAUGE INSULATED COPPER WIRE. WHEN CONNECTING TO EXISTING TRACER WIRE, USE A WATER TIGHT WIRE CONNECTOR OR INSTALL C.O WITH BOTH ENDS OF TRACER WIRE CLEARLY EXPOSED ABOVE FINISHED GRADE.



**ROGUE VALLEY
SEWER SERVICES**

138 WEST VILAS ROAD, CENTRAL POINT, OR.

PRESSURE SANITARY SEWER FLUSHING PORT

Rev. -
Rev. -

STANDARD
DRAWING
NO. 10-3
DATE: 07/18